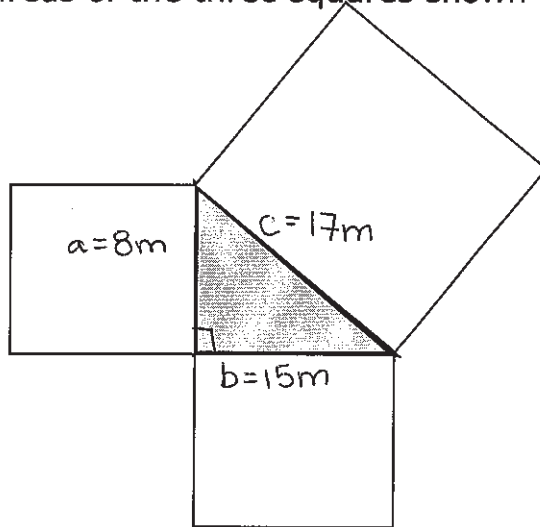


C1 Worksheet#1 (section 3.2)

Ms. Stromgren
Math 8

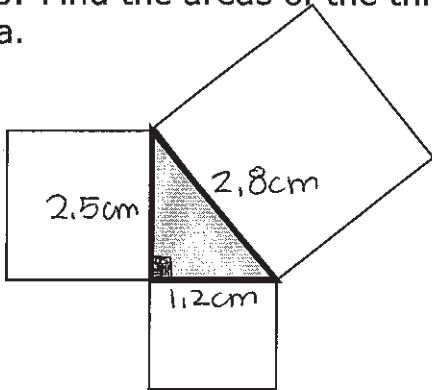
1. What are the areas of the three squares shown below? $A_{\text{square}} = s^2$



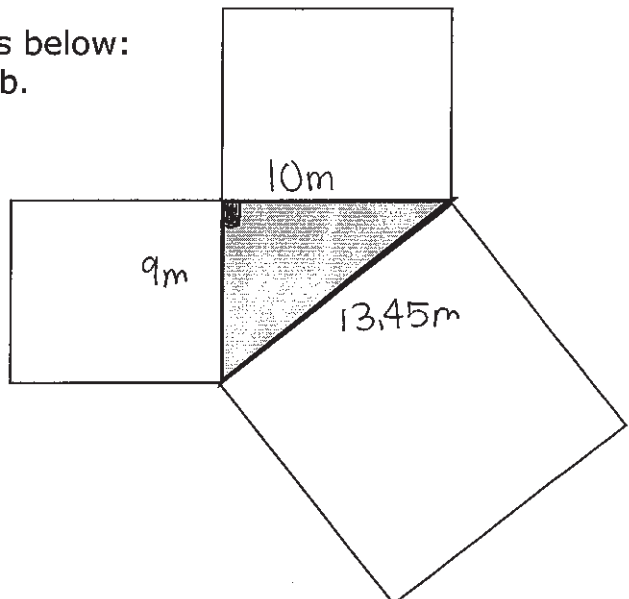
2. a. Draw a right angle triangle with side lengths of 30cm , 40cm and a hypotenuse of 50cm . Label the sides.
 b. Draw a square on each of the sides with the correct dimensions.
 c. Write the addition statement with the areas of the three squares.

3. Find the areas of the three squares below:

a.



b.

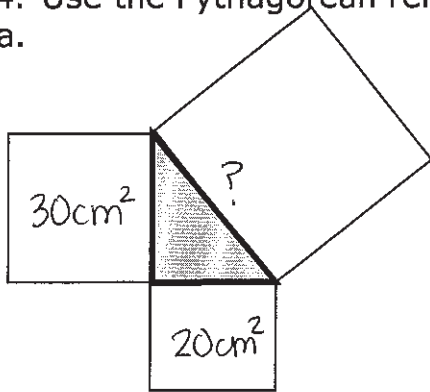


Name: _____

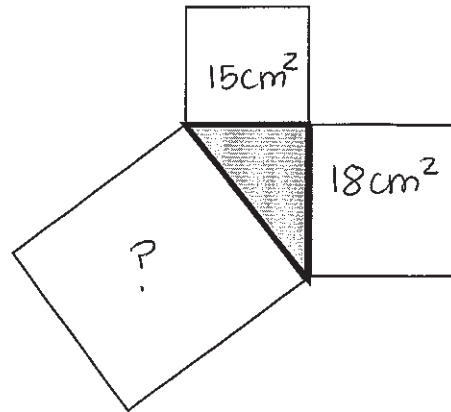
Date: _____

4. Use the Pythagorean relationship to find the unknown area of each square.

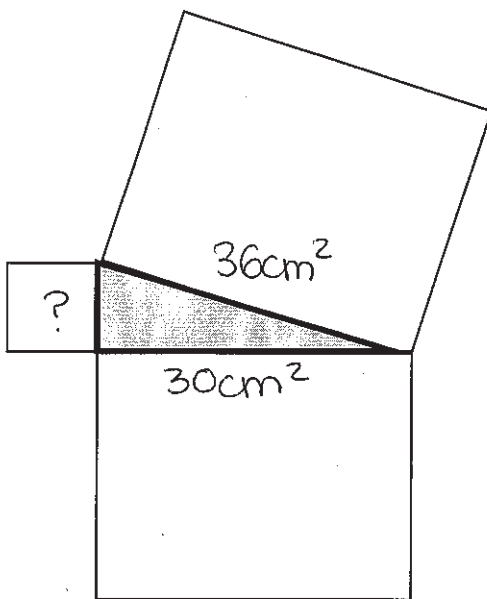
a.



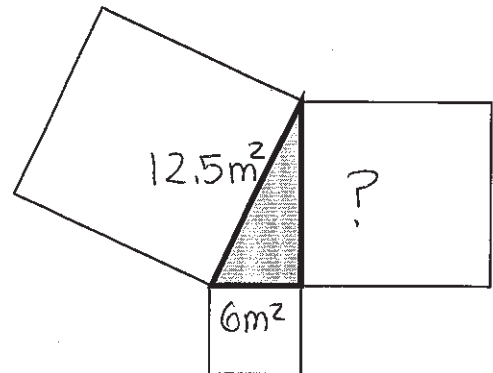
b.



c.



d.



5. A small triangular garden shed has three square plots of grass on each of its sides. Is the garden shed a right triangle? Explain why or why not.

